

# Rittal – The System.

Faster – better – everywhere.



Sicherheitsverriegelung

Safety lock

Verrouillage de sécurité

SZ 2416.000

SZ 2418.000

SZ 2419.000

**Montage-, Installations- und Bedienungsanleitung**

**Assembly and operating instructions**

**Notice de montage, d'installation et d'emploi**

ENCLOSURES

POWER DISTRIBUTION

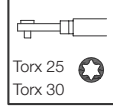
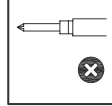
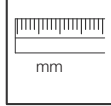
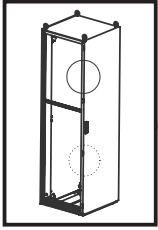
CLIMATE CONTROL

IT INFRASTRUCTURE

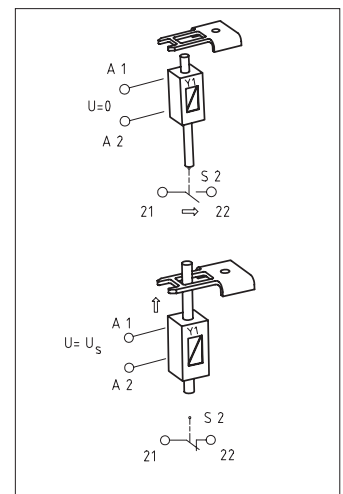
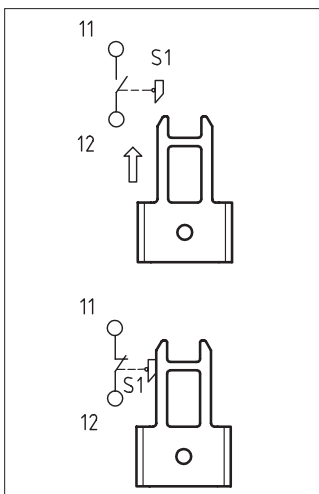
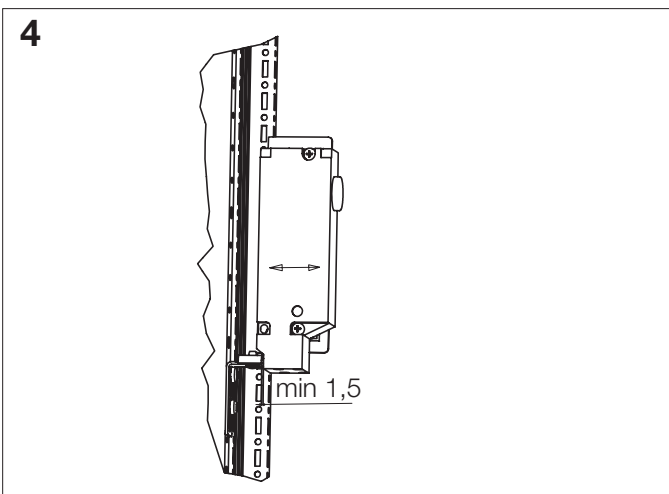
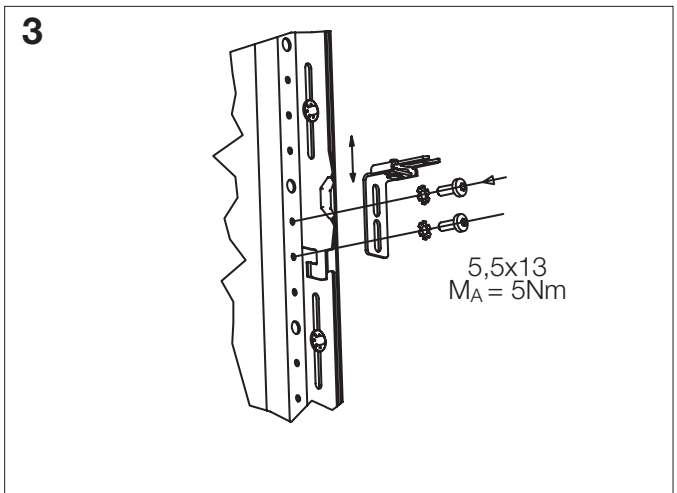
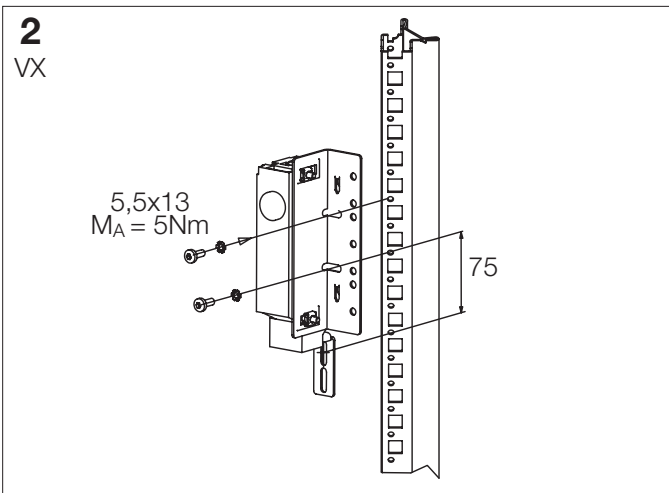
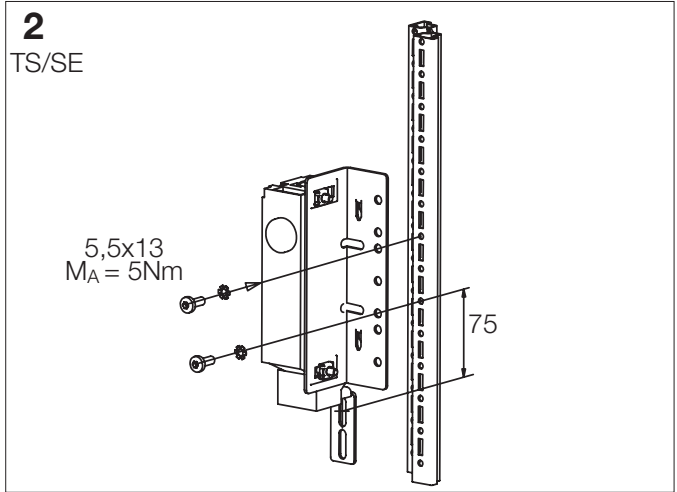
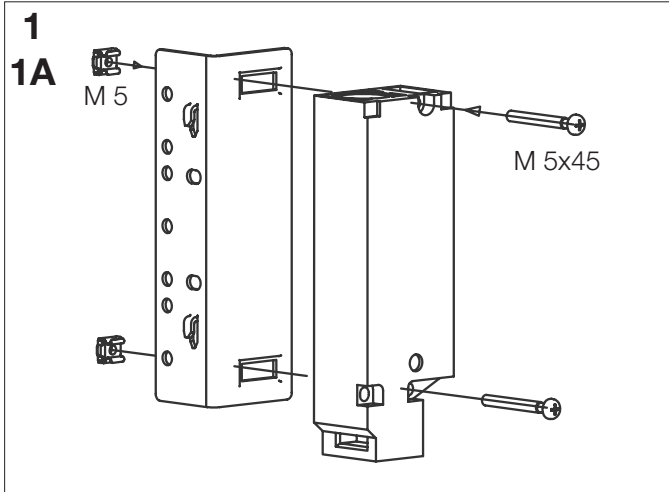
SOFTWARE & SERVICES

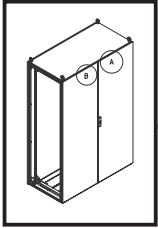


FRIEDHELM LOH GROUP

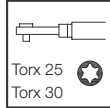
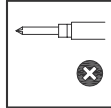
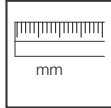


TS/SE  
VX





www.rittal.com



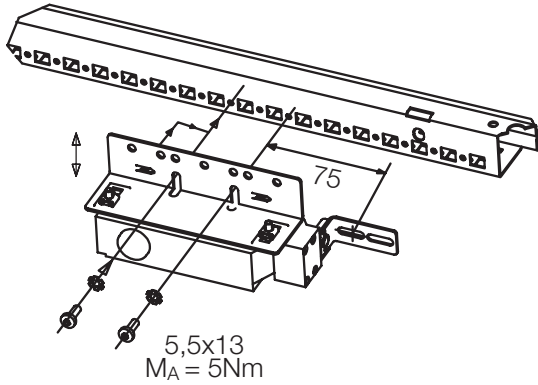
B = Montage / assembling / montage SZ 4127.010

1A = 1 Seite 2 / page 2 / page 2

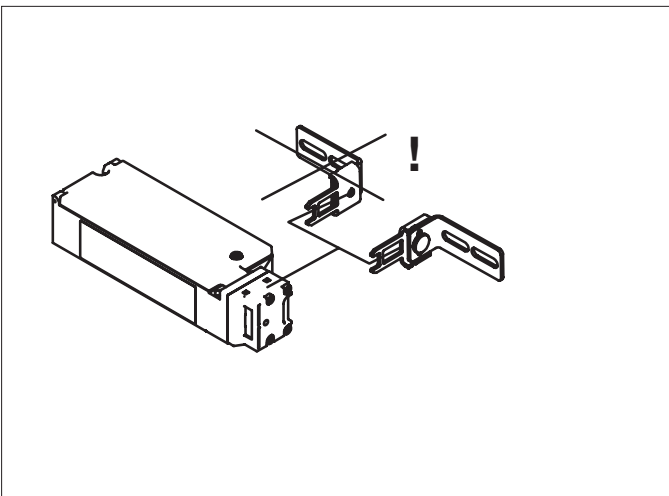
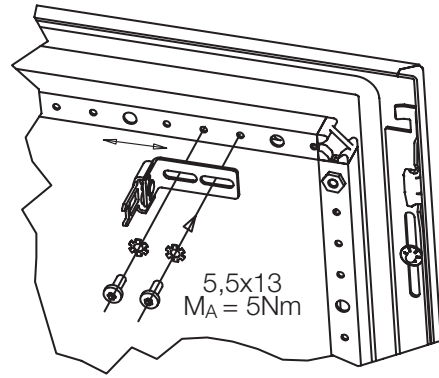
SE 8 = A entsprechend Seite 2 montieren / assembling according page 2 / monter selon la page 2

TS/SE  
VX

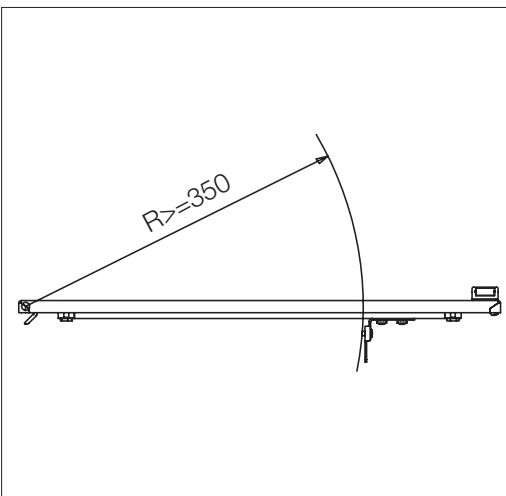
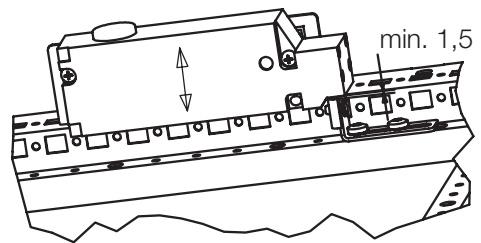
**2A**



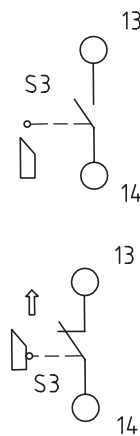
**3A**



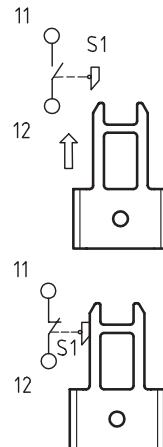
**4A**



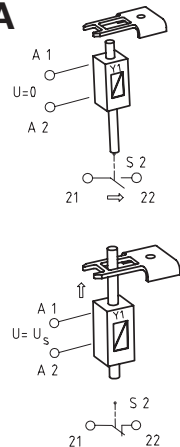
**B**



**A**



**A**



# Rittal – The System.

**Faster – better – everywhere.**

- Enclosures
- Power Distribution
- Climate Control
- IT Infrastructure
- Software & Services

01.2018/222861/D-0000-00001052REV00

You can find the contact details of all Rittal companies throughout the world here.



[www.rittal.com/contact](http://www.rittal.com/contact)

RITTAL GmbH & Co. KG  
Postfach 1662 · D-35726 Herborn  
Phone +49(0)2772 505-0 · Fax +49(0)2772 505-2319  
E-mail: [info@rittal.de](mailto:info@rittal.de) · [www.rittal.com](http://www.rittal.com)

ENCLOSURES

POWER DISTRIBUTION

CLIMATE CONTROL

IT INFRASTRUCTURE

SOFTWARE & SERVICES



FRIEDHELM LOH GROUP